



## CITY+ CORNER ENTRY



DOMESTIC



APPROVED



HOTEL &  
LEISURE



### PRODUCT INFORMATION

CTP026

CITY+ Corner Entry Door W:760 x W:760 x H:1900mm

CTP027

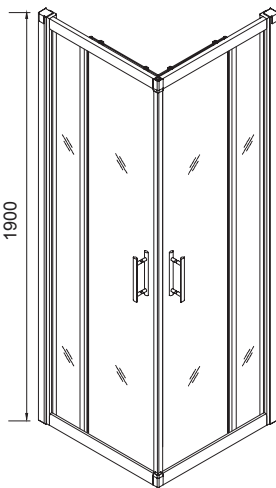
CITY+ Corner Entry Door W:800 x W:800 x H:1900mm

CTP028

CITY+ Corner Entry Door W:900 x W:900 x H:1900mm

### SPECIFICATIONS

- 1900mm High
- Universally Handed
- Magnetic Door Closure
- 6mm Clear Toughened Safety Glass
- Clear Shield - Easy Clean Glass Protection
- Polished Silver Aluminium Profiles
- Stylish Chrome Handles
- Adjustable Wall Profiles
- Power Shower Suitable
- Push down bottom rollers on doors for easy cleaning
- Easy-glide nylon and brass rollers on all doors
- Adjustable double rollers on all doors
- Semi-frameless side panel available
- Lifetime Warranty**



#### MATERIAL

Aluminium

#### COLOUR/FINISH

Chrome

#### APPROVALS

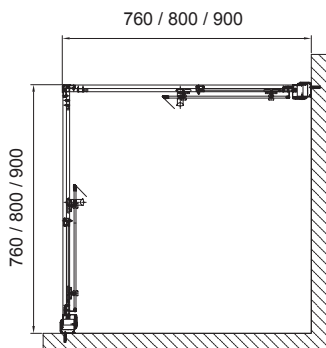
CE Approved EN 14428

#### WEIGHT

44kg

#### ADDITIONAL INFORMATION

All shower enclosures must be installed in accordance with the fitting instructions provided. Please refer to them before installation commences. For additional support, please contact us:  
**t** +353 1 817 9755  
**e** customersupport@sonasbathrooms.com



QUADRANT DOUBLE DOOR	SIZE	ADJUSTMENT MIN-MAX	DOOR OPENING
CTP026	760	725 - 750	364
CTP027	800	765 - 790	392
CTP028	900	865 - 890	463